

2.5G 850 C EL LD -CA

F

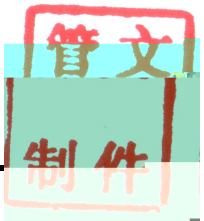
A

Absolute Maximum Ratings:

Parameter	Symbol	Min.	Max.	Unit

Characteristics Ta=25 unless otherwise noted

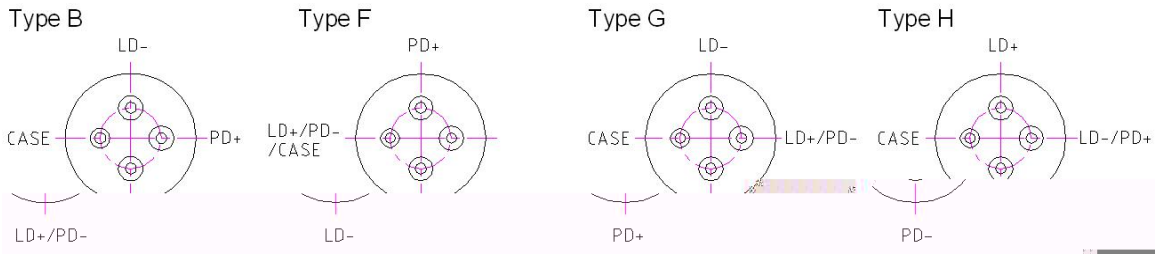
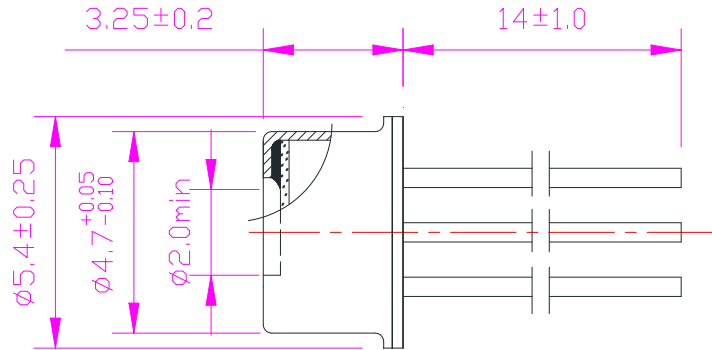
Parameter	Symbol	Test Conditions	Min.	Typ.	Max.	Unit
	λ					
	$\Delta\lambda$					
	η					



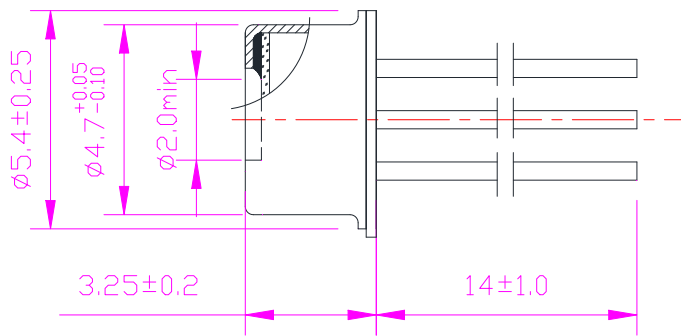
							μ
--	--	--	--	--	--	--	---

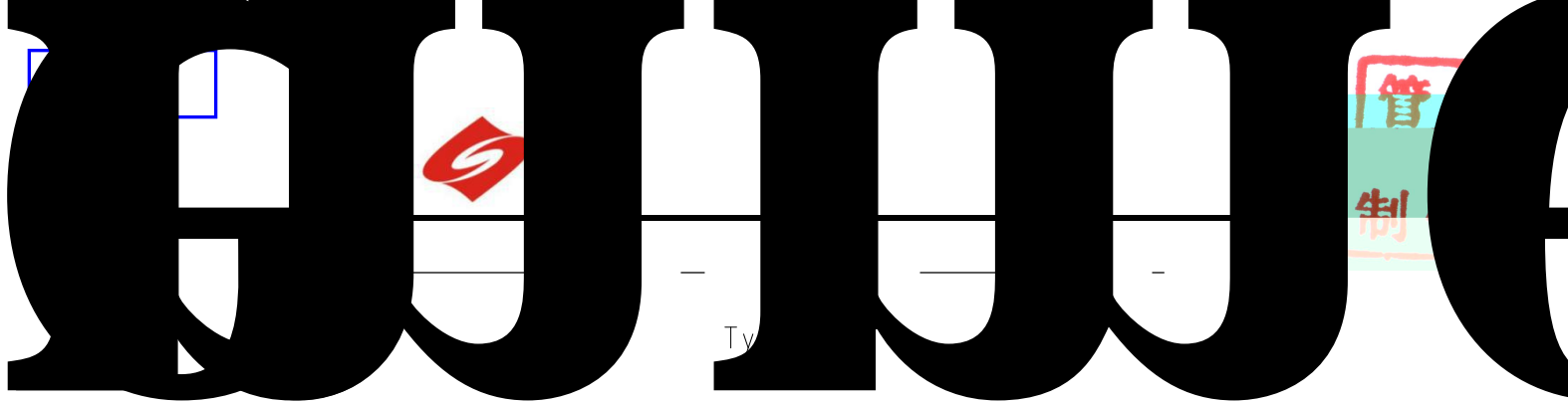
D A :

LD 850nm VCSEL 2.5G-TO46-4pin-FW:



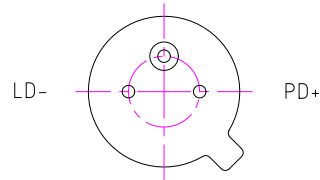
LD 850nm VCSEL 2.5G-TO46-3pin-FW:





Ty

LD+/PD-/CASE



BOTTOM VIEW

I :

LD 850 C EL - - - -

Statement